



Invitation to Bid

Provision of Services Related to the Supply, Installation, Training, and Pilot Testing of three (3) Trash Traps in Calbayog City for Marine Plastics ODA Project (2023–2028) – PEMSEA Resource Facility (PRF)

Bid Reference No.: [PRF/ODA/2026-003]

Date of Issue: 9 March 2026

Project	Ocean Shield: Blocking Plastics with Trash Traps, Baling Solutions, and Green Transport
Intervention	Supply, Installation, Training, and Pilot Testing of Three (3) Trash Traps in Calbayog City
Procuring Entity	Partnerships in Environmental Management for the Seas of East Asia (PEMSEA)
End User / Lead Implementing Agency	City Solid Waste Management Office (CSWMO), Calbayog City
Date of Delivery	Q2-Q3 2026

BACKGROUND

The MOF/PEMSEA ODA Project on Reducing Marine Plastics in the East Asian Seas Region (2023-2028), implemented by PEMSEA with support from the Ministry of Oceans and Fisheries of the Republic of Korea (MOF), seeks to reduce plastic leakage into waterways and seas across East Asia. PEMSEA, through the ODA Project, invites eligible bidders to submit sealed bids for the Supply, Installation, Training, and Pilot Testing of Three (3) Trash Traps in Calbayog City.

Calbayog City, located along the Samar Sea, has been identified as a priority pilot site due to significant levels of plastic waste leaking from rivers into coastal ecosystems. The Calbayog River and its tributaries act as direct conduits of plastic leakage. To intercept waste before it reaches the sea, the project will deploy three engineered trash traps at key chokepoints. The procurement covers the complete provision of engineered trash trap systems, including

delivery, installation, commissioning, operational training, and pilot testing support at designated sites in Calbayog City.

Interested bidders must have relevant experience in the supply and installation of environmental equipment, floating containment systems, riverine waste interception systems, or similar civil/environmental works, and must submit the required legal, technical, and financial documents stated in this Bidding Document.

SCOPE OF PROCUREMENT

The winning bidder shall provide all labor, materials, tools, supervision, equipment, transport, and technical support necessary for the completion of the project, including:

- Supply and delivery of three (3) complete engineered trash trap systems
- Installation at:
 - Rosales Bridge (48 m span)
 - Jasmines Bridge (45 m span)
 - Balud-Payahan Bridge (30 m span)
- Anchorage and structural installation adapted to local site and hydrological conditions
- Onsite testing and commissioning
- At least two (2) training sessions for CSWMO, Barangay SWM Committees, and River Care Units
- Thirty (30)-day pilot testing with supplier support, weekly inspections, and operational adjustments
- Submission of final pilot testing report and turnover documentation

TECHNICAL REQUIREMENTS

The procurement aims to:

- Procure and install three (3) trash traps at designated chokepoints in Calbayog River
- Ensure structural integrity and correct anchoring tailored to local hydrology
- Train local implementers in operation, retrieval, maintenance, and record-keeping
- Conduct pilot testing and optimize capture efficiency and flow management

Technical Specifications are shown in below table:

Parameter	Specification
Number of Units	3 trash trap systems
Locations	Rosales Bridge, Jasmines Bridge, Balud-Payahan Bridge
Trap Widths	48 m, 45 m, and 30 m respectively
Anchorage	Bridge piers and/or banks, suitable for 0.2-0.8 m/s currents
Collection System	Floating boom plus netted cage system or equivalent
Ancillary Materials	Fasteners, ropes, spare nets, and installation accessories
Training	Minimum of 2 batches
Pilot Testing	30-day pilot run with weekly adjustments

Warranty	Minimum 1 year for structural defects
----------	---------------------------------------

DELIVERABLES

The supplier shall deliver the following:

1. Three (3) complete trash trap units
2. Installation and commissioning at all three sites
3. Two (2) or more training sessions
4. Thirty (30)-day pilot testing support
5. Weekly monitoring notes / inspection support during pilot period
6. Final pilot testing report with recommendations
7. Turnover and acceptance documents
8. Warranty documentation

PROPOSED DELIVERY SCHEDULE

Deliverable	Timeline	Responsible Party
Delivery of 3 trash trap units	Month 1	Supplier
Installation and commissioning	Month 2	Supplier / CSWMO
Training sessions	Month 2	Supplier
30-day pilot testing	Month 3	Supplier / CSWMO / Barangays
Final report and turnover	Month 4	Supplier

BID EVALUATION

Bids shall be evaluated based on:

- Completeness of documentary requirements
- Compliance with technical specifications
- Relevant experience and capacity
- Responsiveness of implementation approach
- Delivery schedule
- Warranty and after-sales support
- Price reasonableness / financial competitiveness

PEMSEA may conduct clarification, post-qualification, reference checking, or technical validation prior to award.

CONTRACT TERMS AND PAYMENT

The contract shall take effect upon issuance of the Notice to Proceed and signing of the agreement by both parties. Payment terms shall be subject to PEMSEA's approved contract conditions and may include milestone-based payment upon:

- Delivery of equipment

- Completion of installation and commissioning
- Completion of training
- Completion of pilot testing and acceptance
- Submission of final report and turnover documents

The supplier shall repair, replace, or correct defective items or workmanship during the warranty period at no additional cost.

MONITORING AND ACCEPTANCE

Acceptance shall be based on:

- Installation of three trash traps at the designated sites
- Successful commissioning and functionality testing
- Completion of at least two training sessions
- Satisfactory performance during pilot testing
- Submission of final pilot testing report
- Signed turnover / acceptance certification

REQUIRED DOCUMENTS FOR BID SUBMISSION

Interested bidders shall submit one complete bid package containing the following documents, properly signed by the authorized representative and arranged in an organized manner.

A. Legal and Eligibility Documents

The bidder shall submit the following legal and eligibility documents:

- Certified true copy of Business Registration (SEC, DTI, or CDA, whichever is applicable)
- Copy of valid Mayor's Permit / Business Permit
- Copy of BIR Certificate of Registration
- Latest Tax Clearance
- Company Profile, including office address, contact details, and nature of business

B. Technical Documents

The bidder shall submit the following technical documents:

- Duly accomplished and signed Bid Form
- Technical Proposal describing the bidder's approach to the project
- Description of the proposed trash trap system
- Product brochures, catalogues, and/or technical data sheets
- Design drawings, layout plans, and installation drawings
- Installation methodology and work plan
- Proposed delivery, installation, and implementation schedule
- Training plan and capacity-building approach
- Pilot testing support plan
- Warranty and after-sales support plan
- Safety measures and risk mitigation plan

- List of completed similar projects or contracts
- List of ongoing projects or contracts
- Certificates of completion, client references, or proof of satisfactory performance, if available
- Other documents demonstrating the bidder's technical capability and relevant experience

C. Financial Documents

The bidder shall submit the following financial documents:

- Duly signed Financial Proposal / Price Quotation
- Detailed Price Schedule / Cost Breakdown
- Total bid price, inclusive of all applicable taxes, fees, delivery, labor, materials, and other related costs
- Financial capacity documents, such as:
 - Audited Financial Statements
 - Bank certification
 - or equivalent proof of financial capability

BID SUBMISSION, OPENING, AND CLARIFICATIONS

Bidders are encouraged to organize their bid submission into the following sections:

- Envelope/Folder 1 – Legal and Eligibility Documents
- Envelope/Folder 2 – Technical Documents
- Envelope/Folder 3 – Financial Documents

Deadline for Submission: 31 May 2026, 5:00 PM (Philippine Time)

Submission Address/Email: PEMSEA Resource Facility
 PEMSEA Office Building, DENR Compound
 Visayas Avenue, Quezon City, Metro Manila
Attention: Procurement Committee

Or via dedicated email to:

oda@pemsea.org

- Compress all bidding documents into a zipped folder
- Put "CONFIDENTIAL – BID SUBMISSION FOR **PRF/ODA/2026-003**" in the Subject line

Requests for clarifications must be submitted in writing to emerina@pemsea.org no later than ten (10) calendar days before the submission deadline. **Late bids will not be accepted. PRF reserves the right to accept or reject any bid and to annul the bidding process at any time without incurring any liability.**

Incomplete submissions or failure to provide the required documents may be grounds for disqualification, subject to PEMSEA's procurement rules and evaluation procedures.

ANNEX 1. SAMPLE BID FORM

We, the undersigned, having examined the Bidding Document for the Supply, Installation, Training, and Pilot Testing of Three (3) Trash Traps in Calbayog City, hereby offer to perform the required services in conformity with the said Bidding Document for the total bid price indicated in our Financial Proposal.

We undertake, if our Bid is accepted, to complete the services in accordance with the contract requirements and timeline.

Name of Bidder: _____

Authorized Representative: _____

Signature: _____

Date: _____

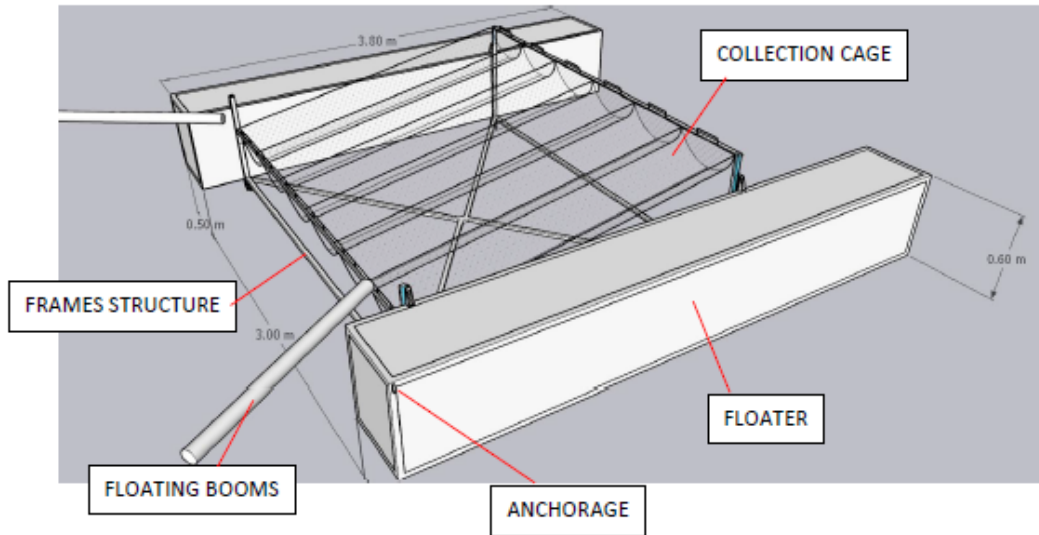
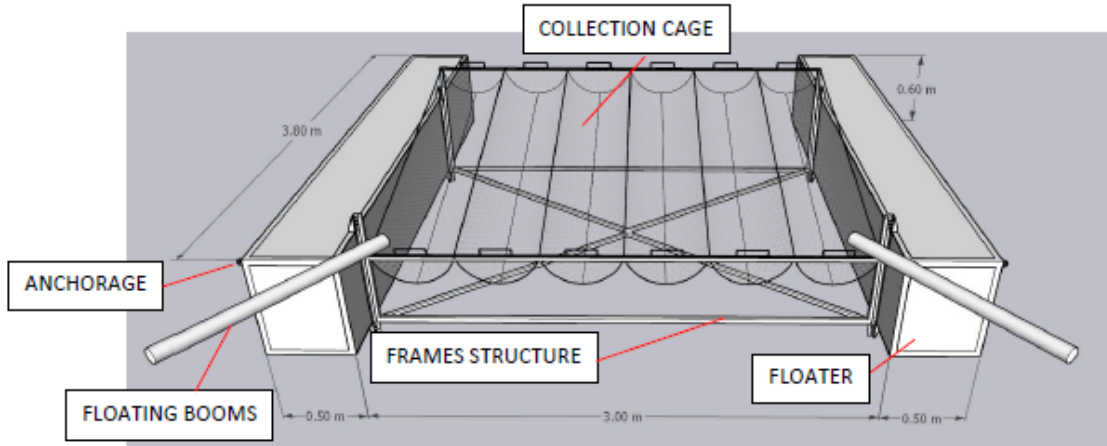
ANNEX 2. PRICE SCHEDULE TEMPLATE

Item	Description	Qty.	Amount (PHP)
1	Supply of three (3) trash trap systems	3 units	
2	Delivery and transport	1 lot	
3	Installation and commissioning	1 lot	
4	Training and capacity building	1 lot	
5	Pilot testing support and reporting	1 lot	
	Total Bid Price		

ANNEX 3. PROPOSED DESIGN OF TRASH TRAP

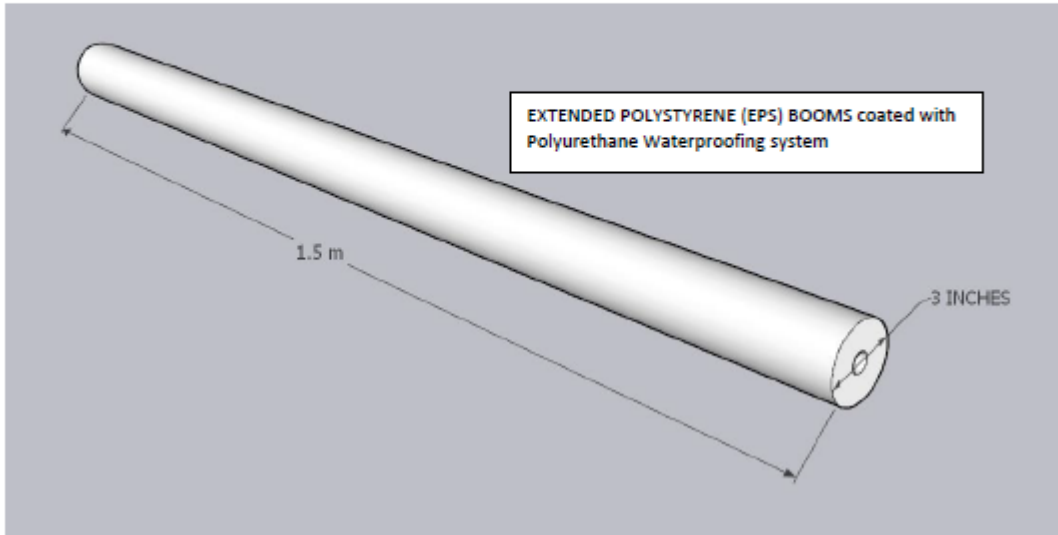
PROPOSED TRASHTRAP DESIGN AND SPECIFICATION

A. TRASHTRAP DESIGN

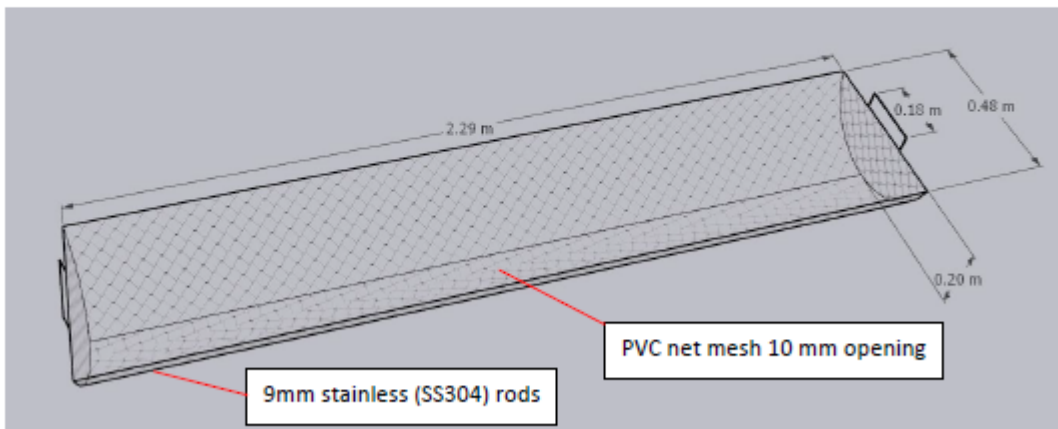


B. PARTS SPECIFICATION

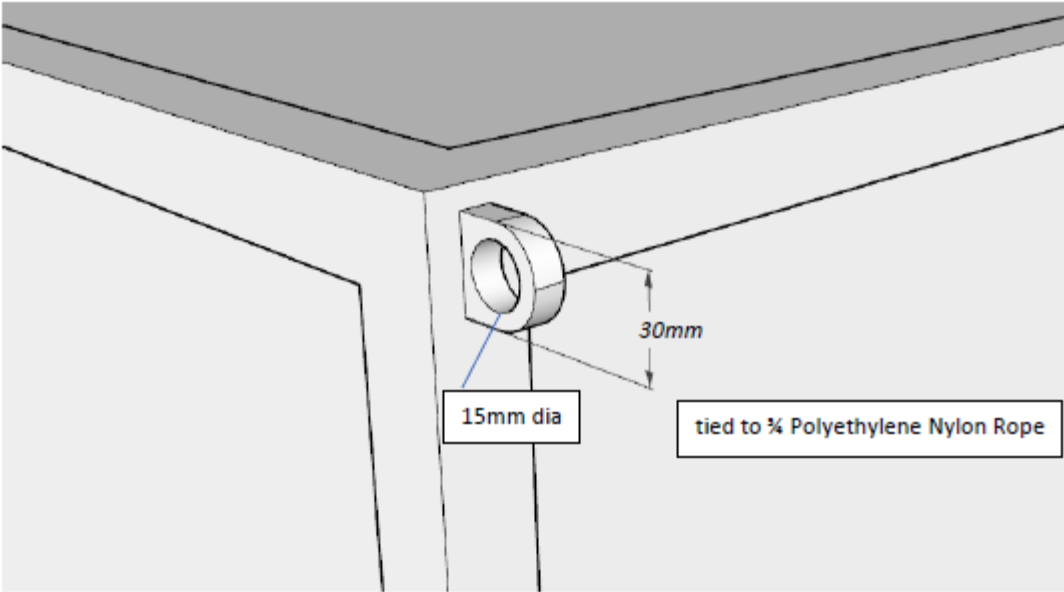
Floating Booms : These are the primary components that extend across a portion of the waterway.



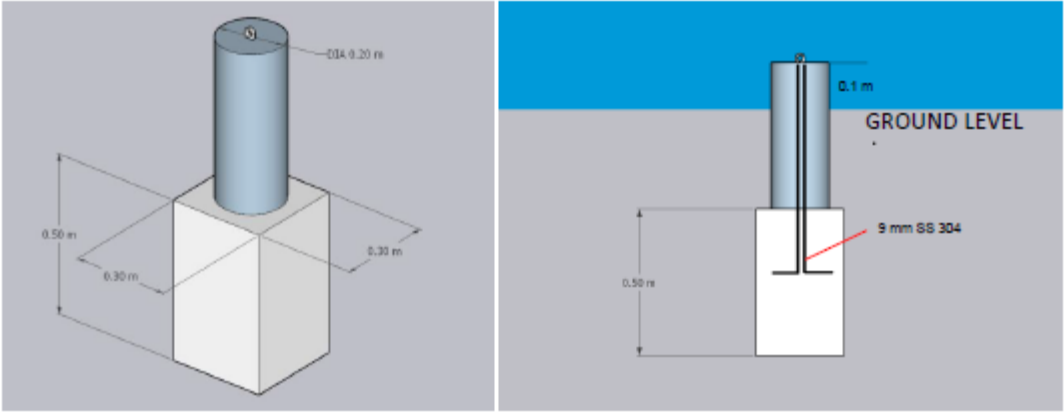
Collection Cage Net: This is where the trash accumulates.



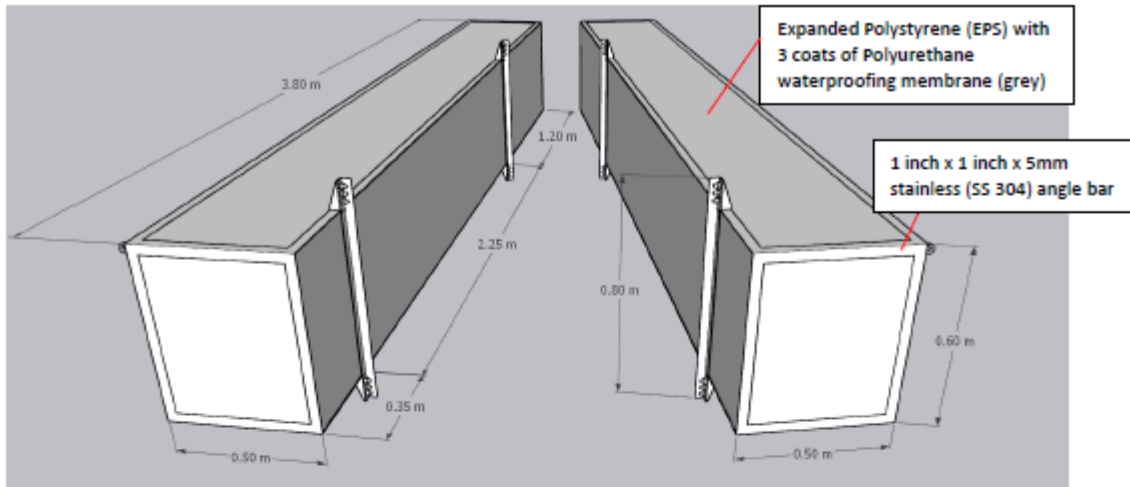
Anchoring System: To keep the trash trap in place against the force of the current, it needs to be securely anchored to the banks or riverbed.



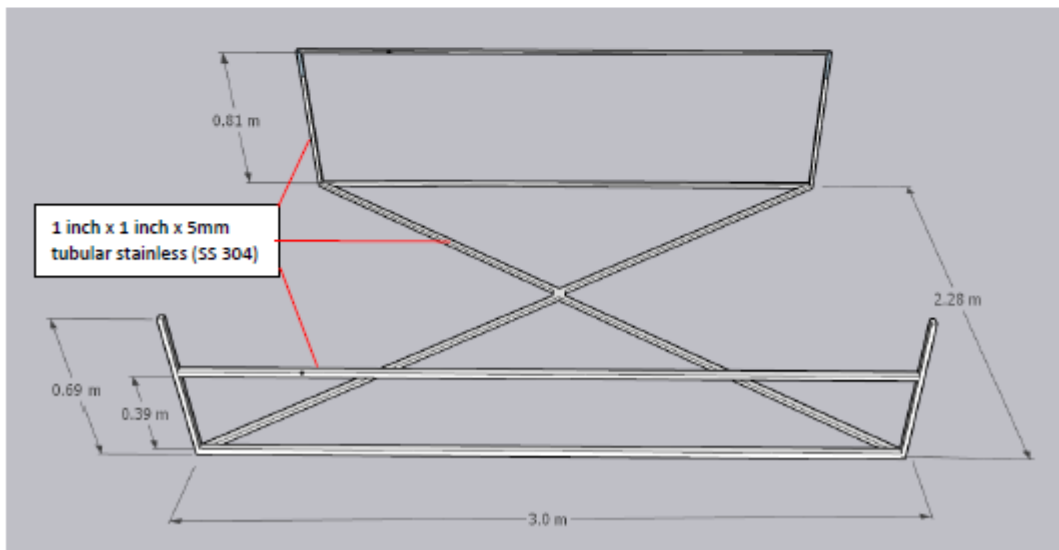
Anchor : Used to secure the trashtrap to the riverbed



Buoyancy System (2 sets of Floater): keeps the trap afloat



Frame or Support Structure: A rigid frame provides the structural integrity for the entire device



C. INSTALLATION DIAGRAM

